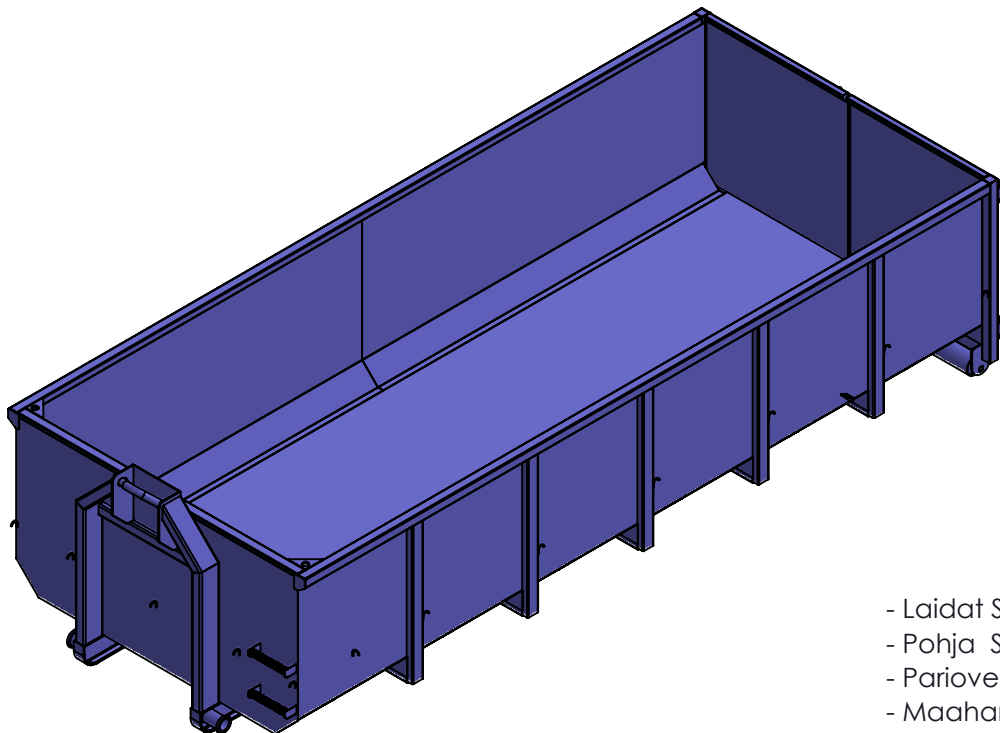
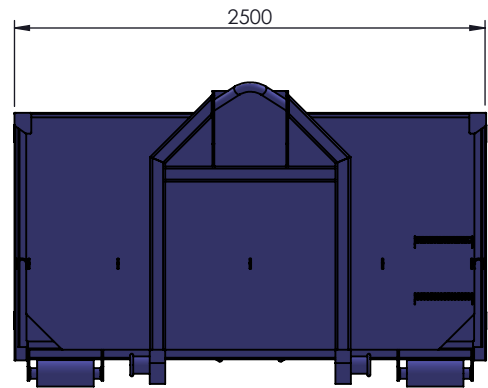
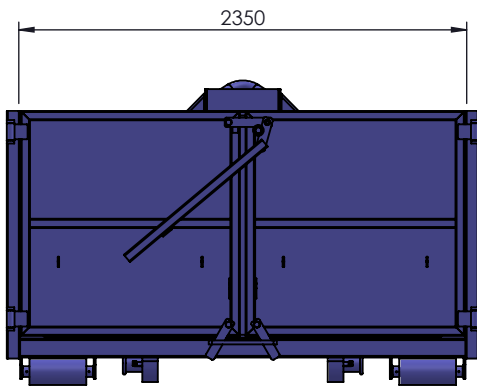
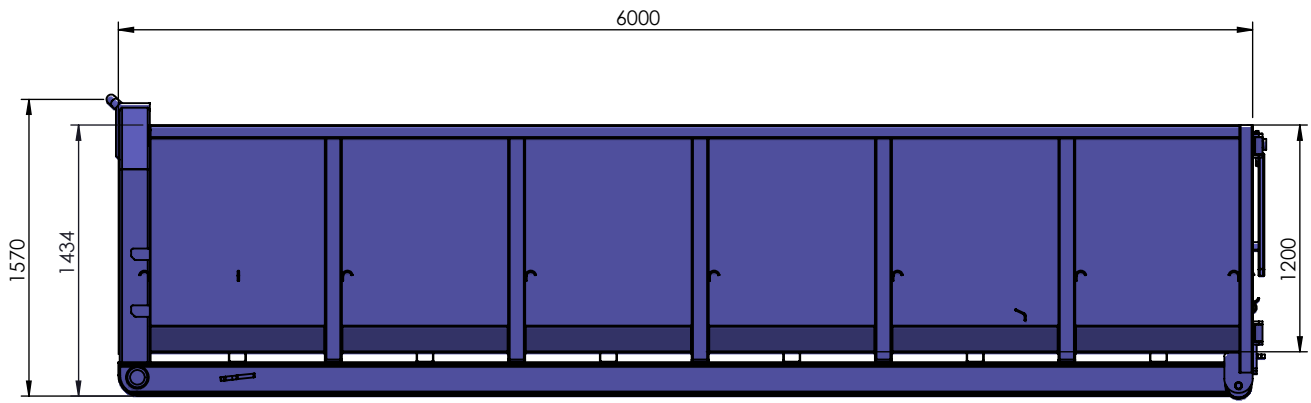


REV	DESCRIPTION	DATE	CHANGED
A			



- Laidat S=3
- Pohja S=4
- Pariovet
- Maahanlaskurullat
- Pressukoukut ja portaat

General tolerance, Welding: EN ISO 13920

General tolerance, Machining: ISO 2768-mK

Drawn: 28.10.2016

Name Mittapiirros

SCALE:1:50

SHEET 1 OF 1

Name2 Yleislava 16 m3 (6 x 1,2m)

A4



100-0003

A